

FR10DxxR

DC-10 RedLink® Fiber Optic Receiver

Datasheet



DESCRIPTION

The Firecomms DC-10 MBd RedLink® receiver is a fully integrated photodiode and receiver IC. The receiver is housed in a miniature package to interface to plug-terminated lengths of Plastic Optic Fiber (POF) or 200 µm Plastic Clad Silica (PCS) fiber. When paired with the appropriate transmitter, the receiver is capable of delivering 10 MBd digital signals over fiber and operate in the temperature range of -40 °C to +85 °C. The device can operate from 5 V or 3.3 V DC power rails and can tolerate +/-10 % supply variation.

The receiver is a robust optical to electrical receiver with integrated pulse width distortion minimization circuitry for reliable data transmission. The receiver features a push-pull TTL compatible CMOS output. It is available in inverting and non-inverting options.

AVAILABLE OPTIONS

Table 1
ORDERING INFORMATION / PART NUMBERS

Non-Inverting RedLink® 10 MBd Receiver Horizontal	FR10DHNR
Inverting RedLink® 10 MBd Receiver Horizontal	FR10DHIR
Non-Inverting RedLink® 10 MBd Receiver Vertical	FR10DVNR
Inverting RedLink® 10 MBd Receiver Vertical	FR10DVIR
Non-Inverting RedLink® 10 MBd Receiver Tilted	FR10DWNR
Inverting RedLink® 10 MBd Receiver Tilted	FR10DWIR



FEATURES

- Ideal for use with POF or PCS fiber
- Optimized for data transmission of DC-10 MBd
- Industrial Temperature Range -40 °C to +85 °C
- Dual 5 V and 3.3 V power supply with 10 % rail tolerance
- RoHS compliant and flame retardant (UL 94 V-0) housing
- Inverting and Non-Inverting options available
- Horizontal, Vertical and 30° Tilted options available
- Push Pull TTL Compatible CMOS output
- Ultra-low pulse width distortion to limit pulse distortion from burst mode data
- Compatible with Versatile Link cables and connectors

APPLICATIONS

Table 2
APPLICATIONS

Application	Automation and Industrial Control. Serial Communications. Voltage Isolation.
Standard	Serial RS232, RS485, CAN-Bus, MODBUS, Profibus
Distance	50 meters Step Index POF ^[1] 300 meters with 200 µm PCS fiber ^[1]
Speed	DC to 10 MBd

Note: 1. Depending on the installation conditions

SPECIFICATIONS

Table 3
RECEIVER PIN DESCRIPTION

Pin	Name	Symbol
1	Receiver Output	V_O
2	Receiver Ground	GND
3	Receiver Vcc	Vcc
4	No Connect	N.C.
5	Retaining Pin	GND
8	Retaining Pin	GND

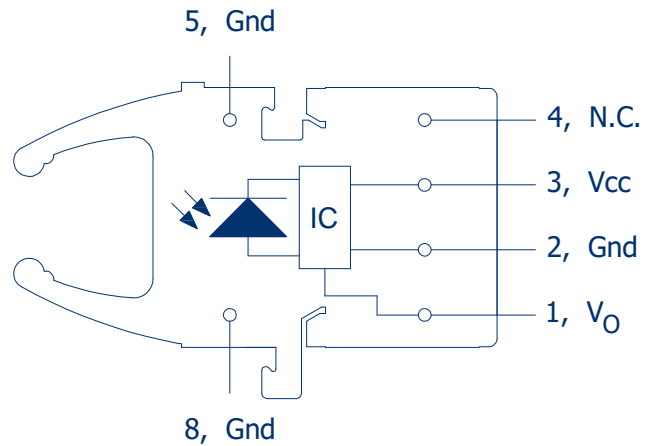


FIGURE 1
Receiver pin-out, top view

NOTE:

1. Pin 4 is electrically isolated internally. Pin 4 may be externally connected to pin 1 for board layout compatibility with existing designs. Otherwise it is recommended pin 4 be grounded as in Figure 2. Pins 5 and 8 are used for mounting and retaining purposes. Connect both to ground.

Table 4
REGULATORY COMPLIANCE

Parameter	Symbol	Standard	Level
Electrostatic Discharge, Human Body Model (contact ESD)	HBM	Mil-STD-883	Level 2 (4 kV)
Radiated Emissions Immunity	Vm^{-1}	IEC 61000-4-3	15 Vm^{-1}
UL Certification	UL	60950-1	File No. E362227
Storage Compliance	MSL	J-STD-020	2a (4 week floor life)
Restriction of Hazardous Substances Directive	RoHS	Directive 2011/65/EU	Certified compliant

RECOMMENDED APPLICATION CIRCUIT

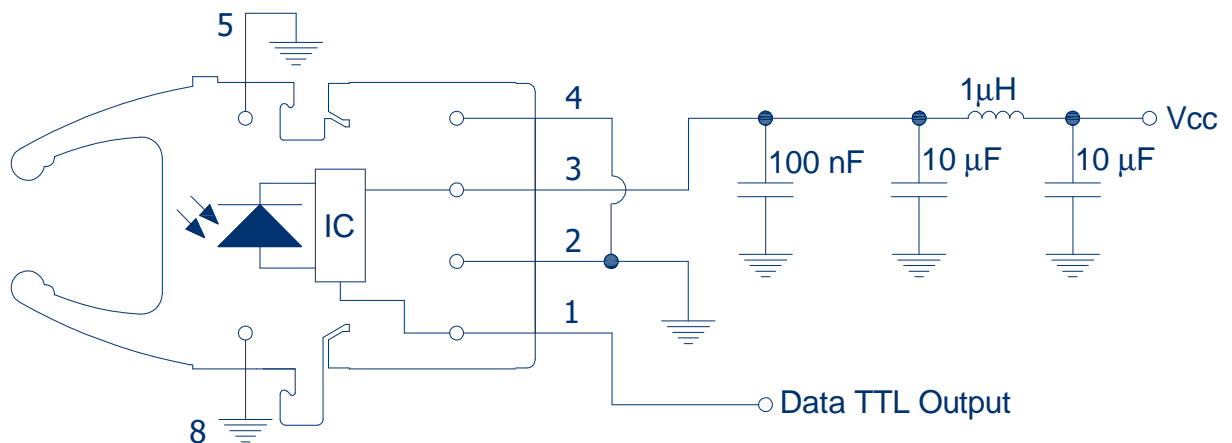


FIGURE 2
RedLink® Receiver Application Circuit

SPECIFICATIONS

Table 5
ABSOLUTE MAXIMUM RATINGS

These are the absolute maximum ratings at or beyond which the FOT can be expected to be damaged

Notes:

- 260 °C for 10 seconds, one time only, at least 2.2 mm away from lead root

Parameter	Symbol	Minimum	Maximum	Unit
Storage Temperature	T_{stg}	-40	+85	°C
Operating Temperature	T_{op}	-40	+85	°C
Soldering Temperature ^[1]	T_{sld}		+260	°C
Receiver Supply Voltage	Vcc	-0.5	+5.5	V
Receiver Output Current	I_o	-16	+16	mA

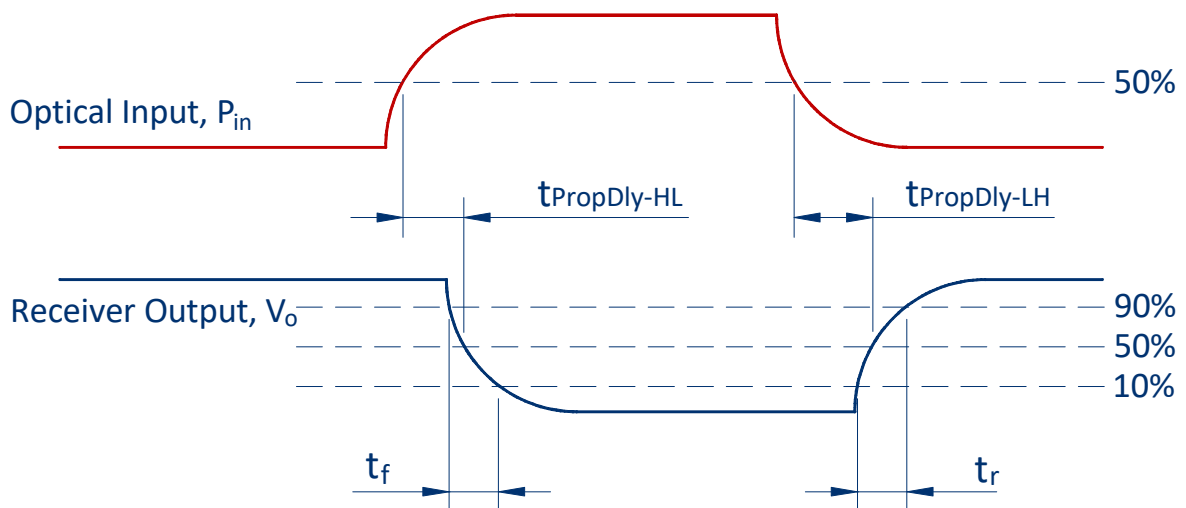


FIGURE 3
Receiver Propagation Delay and rise/fall time definitions for an inverting V_o output.

This Receiver has an output stage that is a standard CMOS push-pull design. It is suitable for operation with standard 5V and 3.3V CMOS logic IC's. It is not an open collector stage. It is not compatible with voltages higher than 5.5 V.

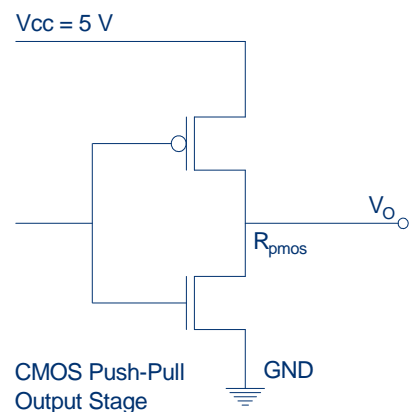


FIGURE 4 Receiver CMOS Push-Pull output stage

SPECIFICATIONS

Table 6
RECEIVER ELECTRICAL AND OPTICAL CHARACTERISTICS

Test Conditions:

1. *Wake up Delay is the delay from VCC > 2.75 V to when the output will respond correctly to optical input. Output is held in tristate before this time*
2. *Test data was validated using a transmitter with a 5 ns rise and fall time, over the full temperature range of -40 °C to +85 °C, and over both supply rail voltage options of 5 V and 3.3 V ± 10 % and over the input optical received power as specified by PH and PL. Input power levels are for peak (not average) optical input levels. For 50% duty cycle data, peak optical power is twice the average optical power. Data referred to as typical are rated at +25 °C*
3. *Optical signal from the recommended Transmitter circuit.*
4. *Testing in the recommended receiver circuit (RL= 50 kΩ, CL(total)= 15 pF)*
5. *Pulse Width Distortion (PWD) for Optical Input of 10 MBd, NRZ 27-1 (PRBS7) data, resulting in a BER ≤ 10⁻⁹.*
6. *If data rate < 1 MBd, then the pulse width distortion =1st pulse PWD*
7. *Propagation Delay Skew is a measure of the part to part variation of the Propagation Delay on the first pulse response when parts are all tested in the same conditions, an optical power accuracy of +/- 1 dBm, a power supply variance less than 5%, a temperature variance of less than 5 °C, and the same environmental conditions (humidity, PCB layout etc.)*

Parameter	Symbol	Min	Typical	Max	Unit	Test Condition
Supply Current	I _{CC}		13	16	mA	[2,3,4]
Wake Up Delay (power up)	t _{power-on}		40		µs	[1]
High Level Output Voltage	V _{OH}	V _{CC} – 0.05		V _{CC}	V	I _{OH-max} = 40 µA, [2]
Low Level Output Voltage	V _{OL}	0		0.1	V	I _{OL-max} =1.6 mA, [2]
POF Optical Power High	P _H	-22		+2	dBm	[2,3], 1 mm POF
POF Optical Power Low	P _L			-40	dBm	[2,3], 1 mm POF
PCS Optical Power High	P _H	-24		0	dBm	[2,3], 200 µm PCS
PCS Optical Power Low	P _L			-42	dBm	[2,3], 200 µm PCS
Data Rate		DC		10	MBd	Min UI = 100 ns Max f = 5 MHz
Output Rise Time (10 % - 90 %)	t _r	4	8	12	ns	[2,3,4]
Output Fall Time (90 % - 10 %)	t _f	4	8.5	13	ns	[2,3,4]
Pulse Width Distortion	PWD	-10		+10	ns	[2,3,4,5]
1 st Pulse, Pulse Width Distortion	PWD _{init}	-10		+12	ns	[2,3,4,5,6]
Propagation Delay	t _{PropDly-HL}			55	ns	[2,3,4]
	t _{PropDly-LH}			55	ns	[2,3,4]
Propagation Delay Skew	t _{PropDly-SKEW}			20	ns	[7]

MECHANICAL DATA, HORIZONTAL

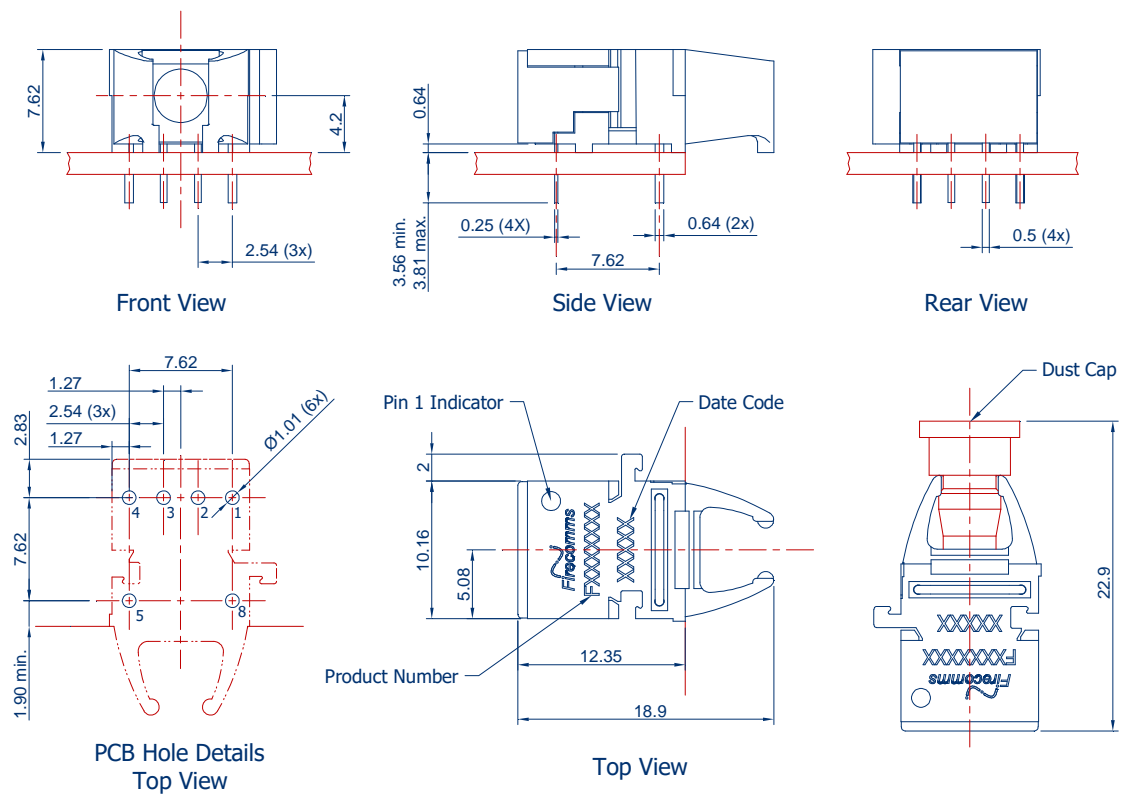


FIGURE 5
Mechanical dimensions of the horizontal receiver connectors and PCB footprint, which is a top view
General dimensional tolerance is ± 0.2 mm

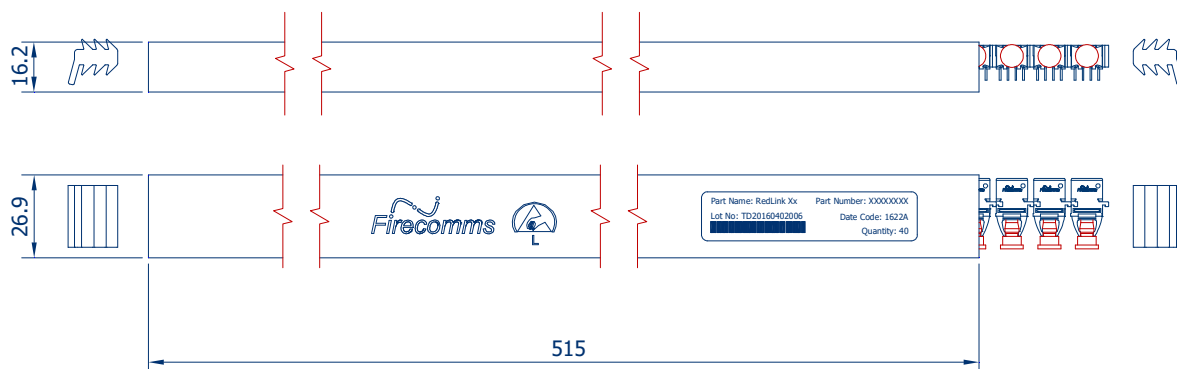


FIGURE 6
Packing tube for Firecomms Horizontal RedLink® Receivers

MECHANICAL DATA, VERTICAL

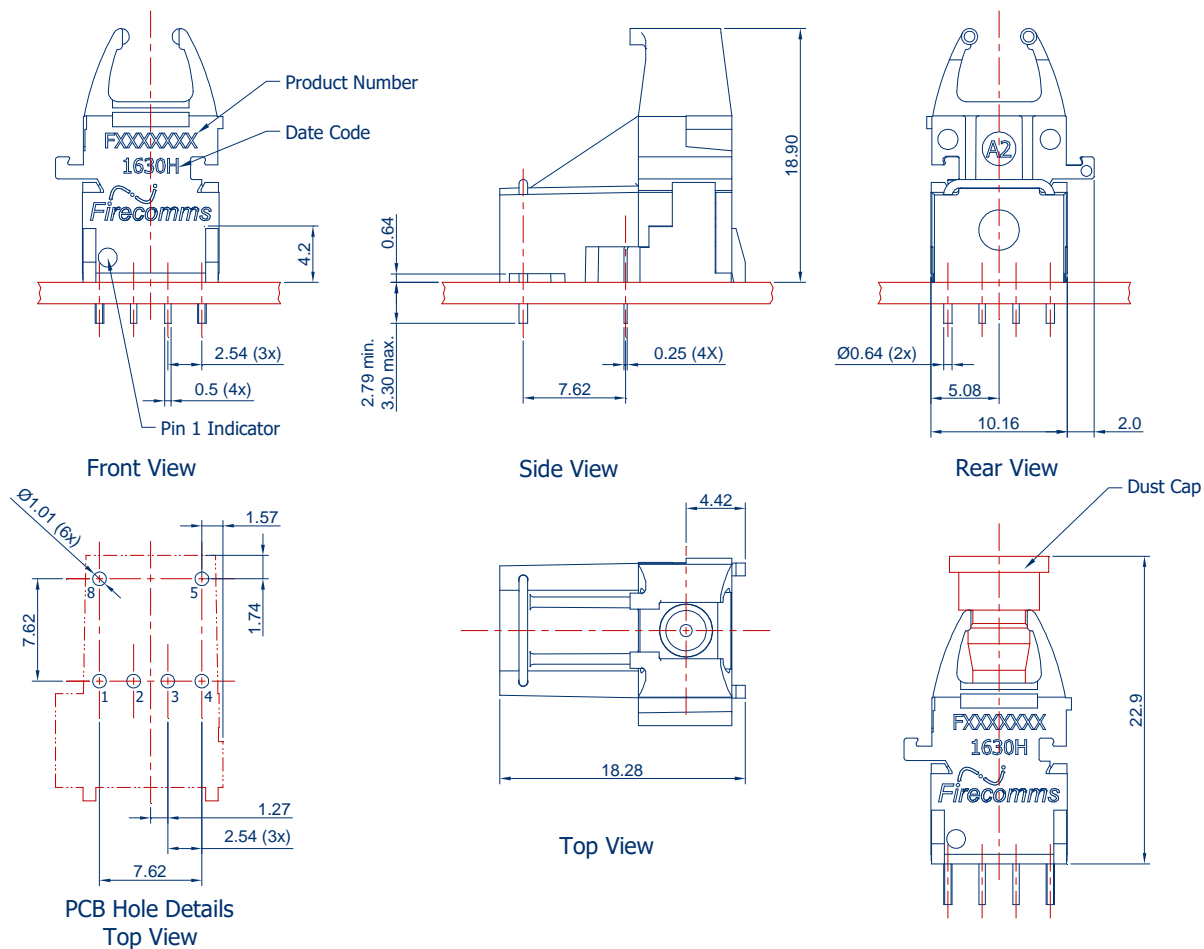


FIGURE 7
Mechanical dimensions of the vertical receiver connectors and PCB footprint, which is a top view
General dimensional tolerance is ± 0.2 mm

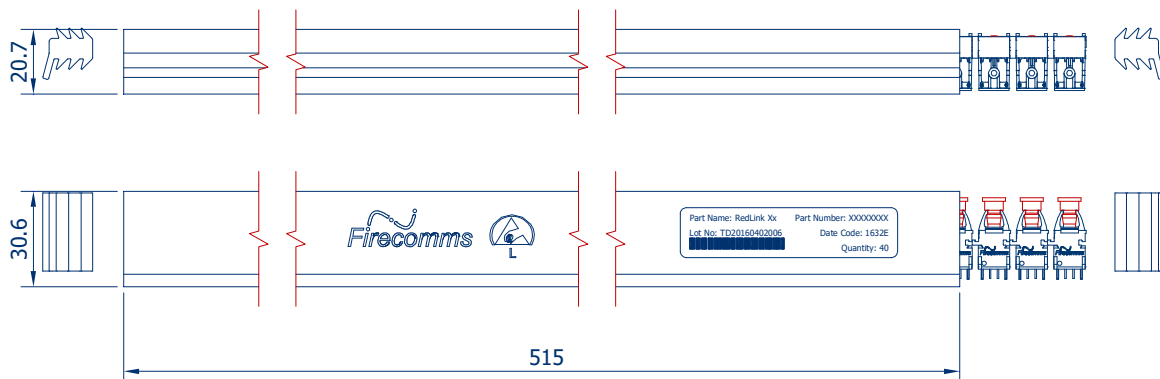


FIGURE 8
Packing tube for Firecomms Vertical RedLink® Receivers

MECHANICAL DATA, 30° TILTED

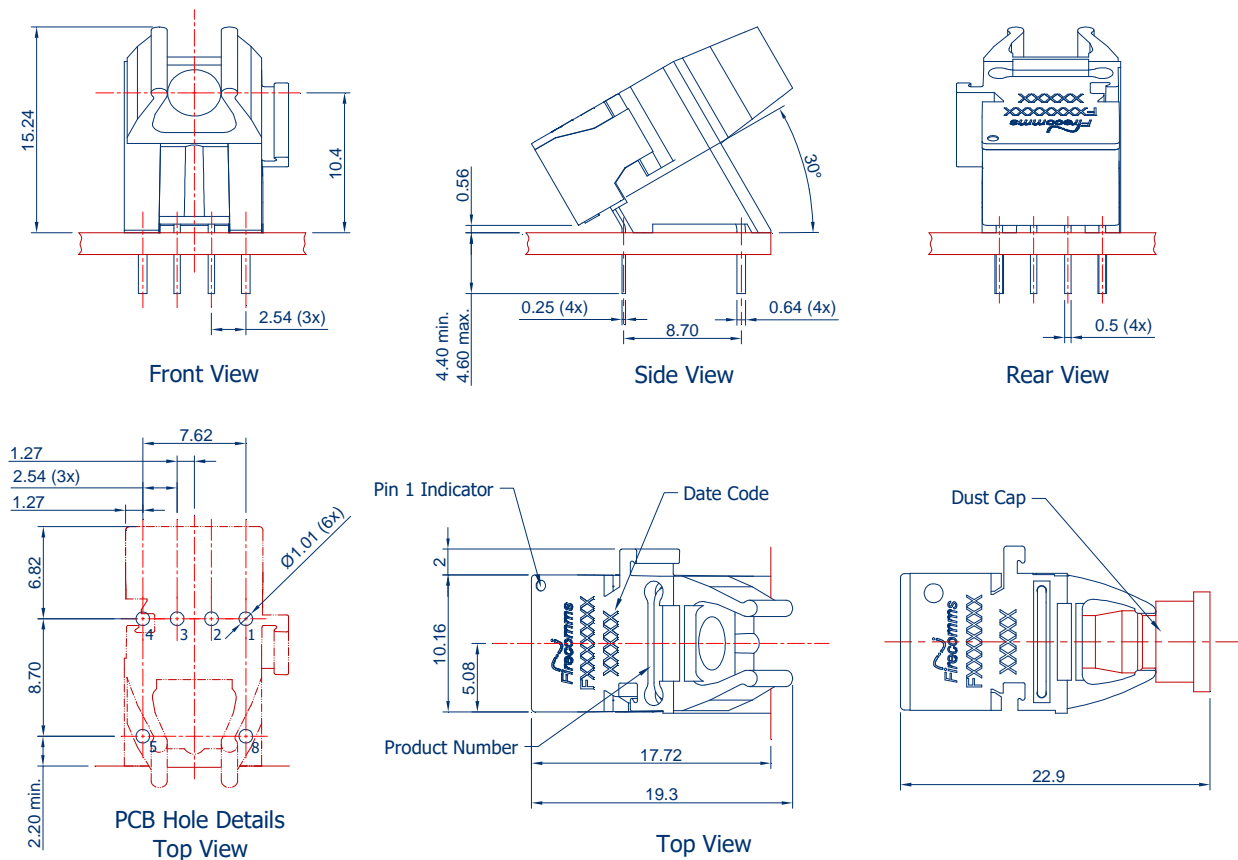


FIGURE 9
Mechanical dimensions of the tilted receiver connectors and PCB footprint, which is a top view
General dimensional tolerance is ± 0.2 mm

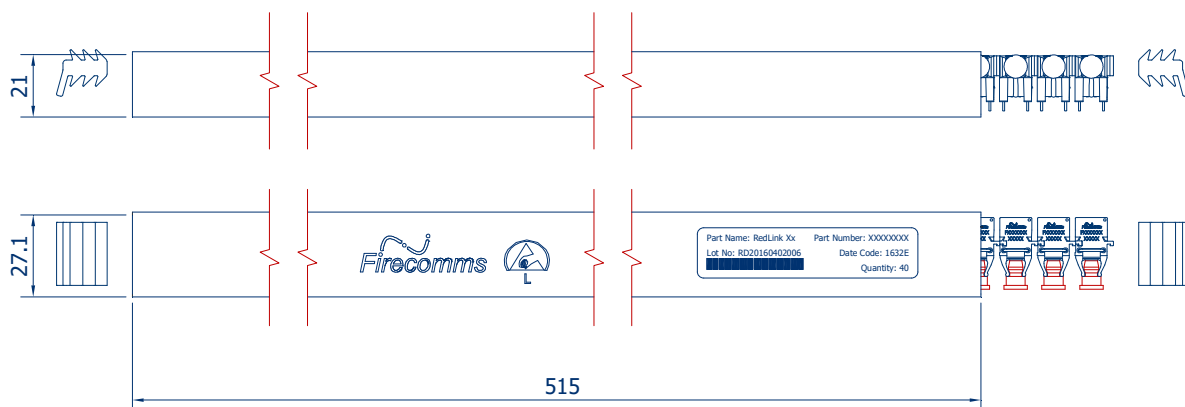


FIGURE 10
Packing tube for Firecomms Tilted RedLink® Receivers

PART HANDLING

The Firecomms™ high voltage RedLink® receiver devices are color coded blue. They are auto-insertable. They are tested for handling in static-controlled assembly processes (HBM). Cleaning, degreasing and post solder washing should be carried out using standard solutions compatible with both plastics and the environment. For example, recommended solutions for degreasing are alcohols (methyl, isopropyl and isobutyl). Acetone, ethyl acetate, phenol or similar solution based products are not permitted.

In the soldering process, non-halogenated water soluble fluxes are recommended. These parts are not suitable for use in reflow solder processes (infrared/vapor-phase reflow). The dust plug should remain in place during soldering, washing and drying processes to avoid contamination of the active optical area of each component.

The Moisture Sensitivity Level (MSL) classification of this device is 2a according to JEDEC J-STD-020. The shelf life of an unopened MBB (Moisture Barrier Bag) is 24 months at < 40 °C and < 90 % R.H. Once the Moisture Barrier Bag is opened the devices can be either

- a) Stored in normal factory conditions < 30 °C and < 60 % R.H. for a maximum of 672 hours (4 Weeks) prior to soldering
- b) Stored at < 10 % R.H. (Dry Cabinet)

PACKING INFORMATION

Components are packed in PVC anti-static tubes in moisture barrier bags. Bags should be opened only in static-controlled locations, and standard procedures should be followed for handling moisture sensitive components.

Table 7
PACKING INFORMATION

	Horizontal	Vertical	Tilted
Components per Tube	40	40	40
Tube Length	515 mm	515 mm	515 mm
Tube Height	16.2 mm	20.7 mm	21 mm
Tube Depth	26.9 mm	30.6 mm	27.1 mm
Tubes per Bag	5	5	5
Bags per Inner Carton	1	1	1
Inner Carton Length	630 mm	630 mm	630 mm
Inner Carton Width	70 mm	70 mm	70 mm
Inner Carton Height	105 mm	105 mm	105 mm
Weight per Inner Carton, Complete	0.77 kg	0.92 kg	0.92 kg
Components per Inner Carton	200	200	200
Inner Cartons per Outer Carton	10	10	10
Outer Carton Length	650 mm	650 mm	650 mm
Outer Carton Width	235 mm	235 mm	235 mm
Outer Carton Height	376 mm	376 mm	376 mm
Weight per Outer Carton, Complete	8.13 kg	9.60 kg	9.60 kg
Components per Outer Carton	2,000	2,000	2,000

For the most recent revision or further information please visit www.firecomms.com or contact the company directly at the following address, Firecomms Ltd, 2200 Airport Business Park, Cork, IRELAND. Copyright© 2004-2018 Firecomms. All rights reserved. Firecomms refers to Firecomms Limited and/or its subsidiaries. Firecomms assumes no responsibility for inaccuracies or omissions in the information contained in this document. Specifications are subject to change without notice. No patent rights are granted to any of the circuits described herein.