

# FP-00C-LX0 LC Adaptor



## Preliminary Data Sheet



### DESCRIPTION

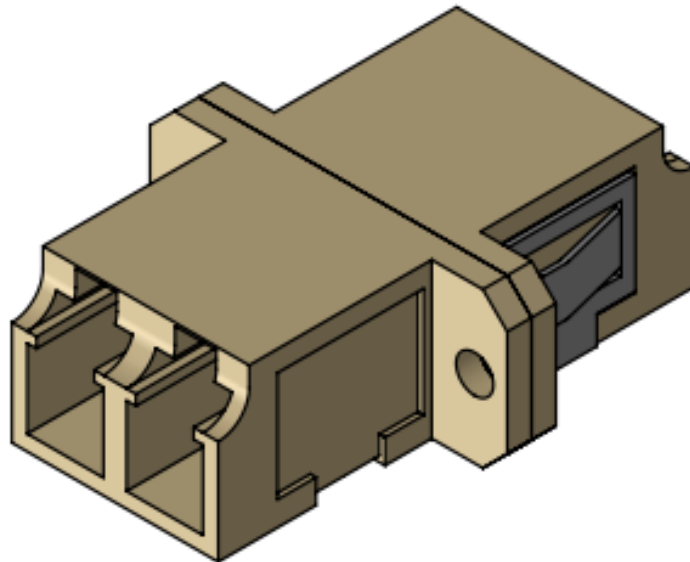
The Firecomms LC adaptor provides a simple way to reliably connect two LC plugs together to transmit data. The design incorporates high precision alignment sleeves for 1 mm POF core, allowing for improved reliability with repeatable connectivity.

#### Ordering Information

Part Number	Name	Description
FP-00C-LX0	LC Adaptor	LC-LC adaptor for 1 mm POF core

### FEATURES

- For use with 1 mm POF core
- Complies with IEC 61754-20 (Fiber optic interconnecting devices and passive components standard)
- High precision alignment sleeve
- Low insertion loss with repeatable reconnection
- Compact and durable design
- RoHS and REACH compliant



## SPECIFICATIONS

Parameter	Value	Unit
Insertion Loss (Typical)	-3	dB
Mating Durability (500 times)	≤ 0.5	dB
Operating Temperature	- 40 to + 75	°C
Storage Temperature	- 40 to + 85	°C

\*Note: Values stated are attained using 650 nm, 2.2 mm fiber with a PE jacket and a 1 mm PMMA core

## MECHANICAL DIMENSIONS

