

# OptoLock® Bulkhead Feedthrough Adaptor



## Datasheet



### DESCRIPTION

The Firecomms OptoLock® bulkhead feedthrough adaptor provides a simple way to reliably connect two bare simplex or duplex cable together to transmit data. The design incorporates high precision alignment sleeves for 1 mm POF core, allowing for improved reliability with repeatable connectivity. The adaptor can also be conveniently panel mounted if required.

### FEATURES

- For use with 2.2 mm POF with 1 mm core
- High precision alignment sleeve
- Low insertion loss with repeatable reconnection
- Compact and durable design
- Suitable for panel mounting
- RoHS and REACH compliant

### Ordering Information

Part Number	Name	Description
FA-BFC-KXD	OptoLock® Adaptor	2.2 mm OptoLock® Bulkhead Feedthrough Adaptor

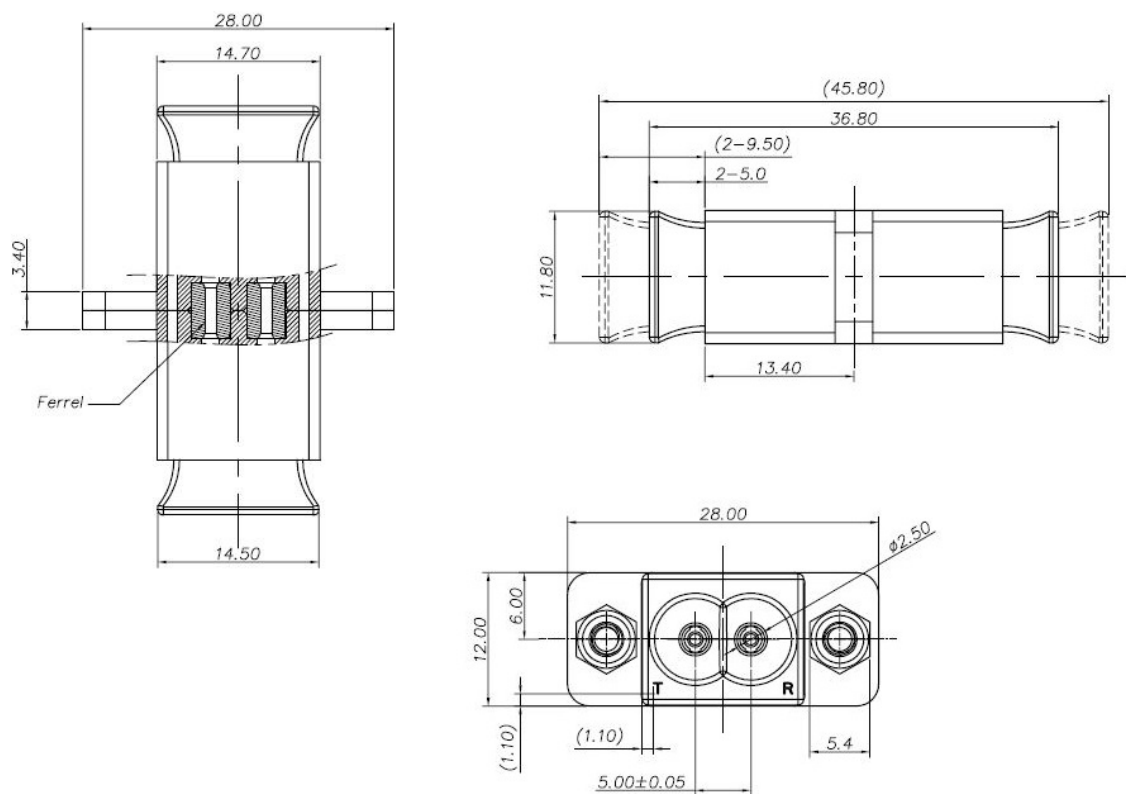


## SPECIFICATIONS

Parameter	Value	Unit
Insertion Loss (Typical)	-3	dB
Mating Durability (500 times)	≤ 0.5	dB
Operating Temperature	- 40 to + 75	°C
Storage Temperature	- 40 to + 85	°C

\*Note: Values stated are attained using 650 nm, 2.2 mm fiber with a PE jacket and a 1 mm PMMA core

## MECHANICAL DIMENSIONS



For the most recent revision or further information please visit [www.firecomms.com](http://www.firecomms.com) or contact the company directly at the following address, Firecomms Ltd, 2200 Airport Business Park, Cork, IRELAND. Copyright© 2004-2019 Firecomms. All rights reserved. Firecomms refers to Firecomms Limited and/or its subsidiaries. Firecomms assumes no responsibility for inaccuracies or omissions in the information contained in this document. Specifications are subject to change without notice. No patent rights are granted to any of the circuits described herein.