

FB2M5BVR

10/100/250 Mbps Fiber Optic

OptoLock® Transceiver for 1.5 mm POF



Datasheet



DESCRIPTION

Firecomms' plugless OptoLock® transceiver features a small form factor housing containing a CMOS based integrated transmitter and receiver pair of opto-electronic components lensed for direct termination to Plastic Optical Fiber (POF). This port for bare fibre significantly simplifies the optical connection, (no plug required) thus reducing installation and maintenance time for industrial, medical and consumer applications.

The OptoLock® offers a compact device supporting Fast Ethernet, Industrial Ethernet (e.g. EtherCAT and Sercos III) and proprietary data links running data from 10 Mbps to 250 Mbps. It is compatible with the 200 Mbps (8B/10B) port on many FPGA and ASIC devices.

The OptoLock® can be interfaced to low voltage differential data systems (LVDS, LVPECL and CML) for simple integration into existing data bus structures.

For low power and green designs, the transceiver provides an electrical power saving feature. If no data or toning inputs are present on the input bus, the transmitter driver IC will enter a sleep state and the RCLED (Resonant Cavity LED) is switched off. Similarly, with no optical signal present, the receiver IC will switch into a sleep mode. In sleep mode the total current consumption is reduced to a typical value of 27 µA.

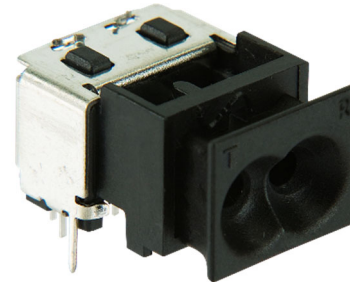
OptoLock® is protected by U.S. patents 7,597,485 and 7,905,665, Chinese patents 101501545 A and 102135650 B and other international patents.

AVAILABLE OPTIONS

Table 1

ORDERING INFORMATION / PART NUMBER

Industrial OptoLock® Transceiver, 1.5 mm POF, Black	FB2M5BVR
--	----------



FEATURES

- Simple low-cost termination solution for 1.5 mm jacketed POF cables without a plug
- Compatible with 8B/10B encoding schemes: 250 Mbps is the maximum NRZ symbol rate
- Resonant Cavity LED (RCLED) at red 650 nm with small emission aperture suitable for POF
- Integrated CMOS driver IC for RCLED
- High sensitivity CMOS receiver IC and integrated PIN diodes for robust EMI/EMC performance
- Integrated optics for efficient coupling to 0.5NA POF.
- Low power consumption with power saving features
- -40 °C to +85 °C operating range
- RoHS compliant

APPLICATIONS

Table 2
APPLICATIONS

Application	Industrial and Robotic Links
Standard	200 Mbps 8B10B serial communications. 100Base-Fx fiber based Ethernet, EtherCAT, Sercos III
Distance	50 meters over Step Index POF ^[1] at 250 Mbps
Speed	250 Mbps

Note: 1. Maximum link lengths will vary with installation conditions and operating data rate

SPECIFICATIONS

Table 3
TRANSCEIVER PIN DESCRIPTION

Pin	Name	Symbol
Transmitter		
1	EMI Shield ^[1]	GND
2	Signal Input (Negative)	TD-
3	Signal Input (Positive)	TD+
4	Ground Pin ^[1]	GND
5	DC Power Input Pin 3.3 V	Vcc
6	Ground Pin ^[1]	GND
Receiver		
7	DC Power Input Pin 3.3 V	Vcc
8	Ground Pin ^[1]	GND
9	Signal Detect Output	SD
10	Data Output (Negative)	RD-
11	Data Output (Positive)	RD+
12	EMI Shield ^[1]	GND

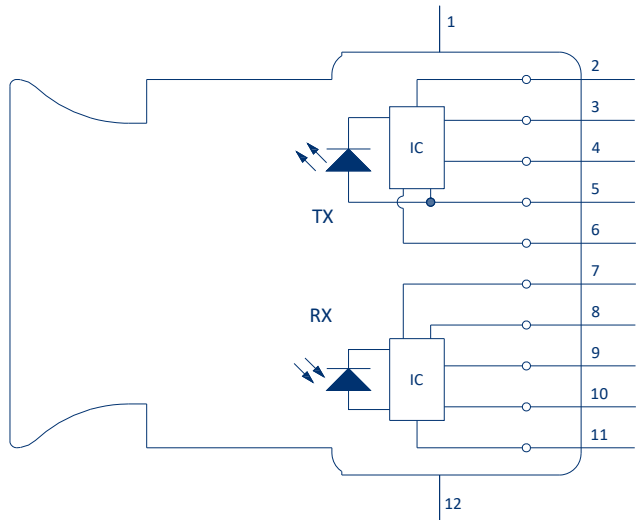


FIGURE 1
Transceiver pin-out, top view

1. N.B. EMI Shield ground pins must be connected to the signal ground plane on the PCB. This is important to prevent cross-talk between TX and RX and also to shield the FOT's from external EMI/EMC and ESD

ELECTRICAL INTERFACE

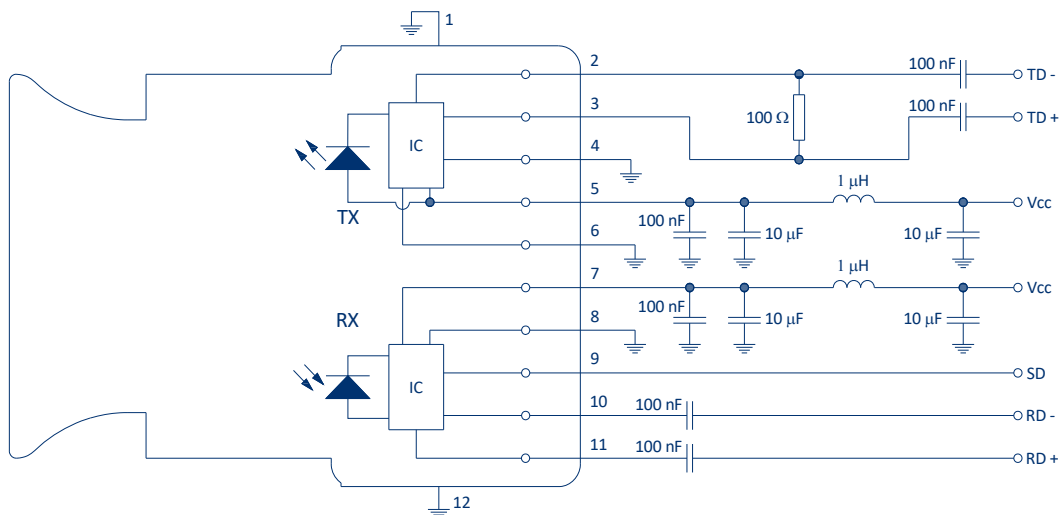


FIGURE 2
General application circuit schematic to AC couple to Firecomms transceiver.

Notes:

1. The transmitter and receiver are shielded from each other to prevent crosstalk. To be effective this shield must be grounded.
2. Both GND pins of the TX FOT must be connected to GND (they are not connected internally).
3. Power line capacitors should be located as close as possible to the FOT's DC power PINs.
4. The data lines are impedance-matched differential pairs. The PCB layout for these tracks must comply to IEEE standards for high-speed data and impedance matching.
5. Note: The RD + and RD - are already terminated with a 100 Ohm resistor internally at the output stage.

ELECTRONIC BLOCK DIAGRAM

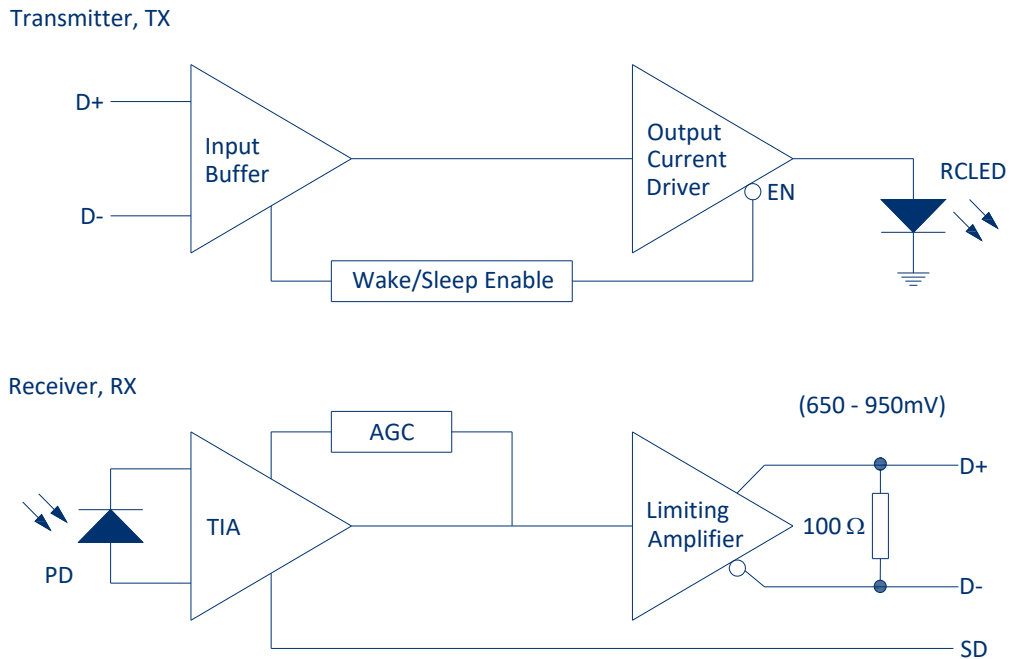


FIGURE 3
Electronic block diagrams of the TX and RX fiber optic transceivers

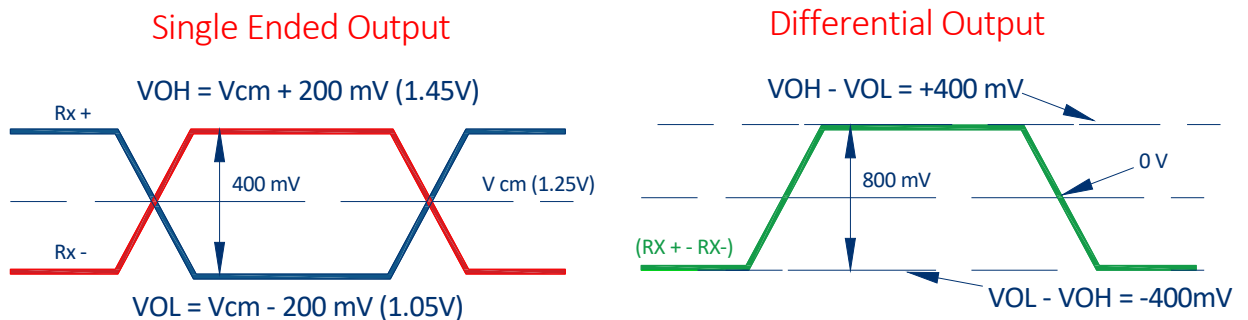


FIGURE 4
On the left the Optical Receiver Output voltage swing as seen from each output (single ended) and on the right as the differential measurement across both outputs.

The overall VOH and VOL values depend critically on the common mode DC level. In LVDS applications this is 1.25 V. In LVPECL it is 2 V and in CML it is 1.5 V. The following application circuits illustrate how the Firecomms part can be used with LVPECL, LVDS and CML interfaces generally found on Ethernet PHY, FPGA and ASIC devices. The specific circuit for an individual manufacturer sometimes differs from these general guidelines. Please contact Firecomms for assistance with specific IC's.

APPLICATION CIRCUIT FOR AN LVDS INTERFACE

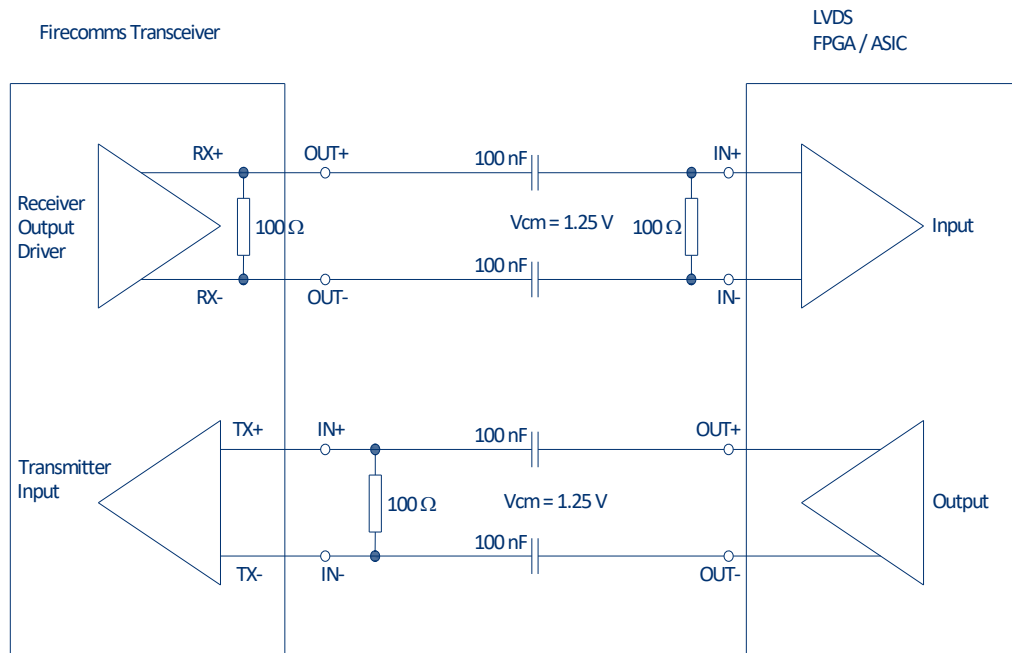


FIGURE 5

This is the general AC coupled LVDS interface circuit for the Firecomms transceiver. It assumes that the LVDS device (FPGA or ASIC) does not have internal termination. Both Optical transmitter and receiver require a common mode voltage of 1.25 V for optimum operation.

APPLICATION CIRCUIT FOR A CML INTERFACE

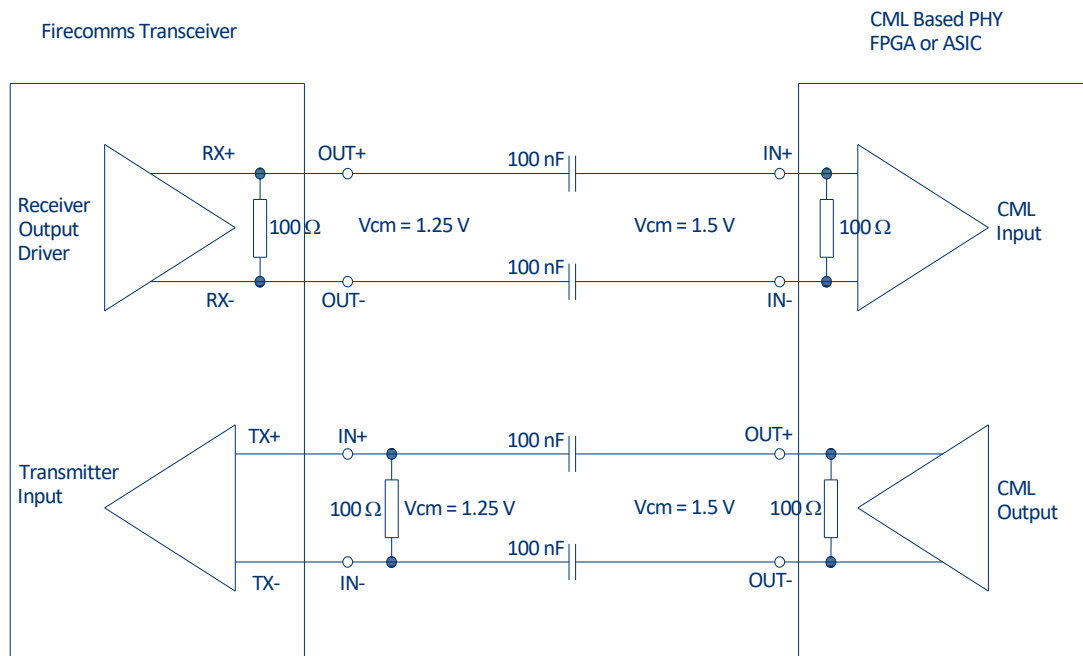


FIGURE 6

This is the general AC coupled CML interface circuit for the Firecomms transceiver. It assumes that the CML device has internal termination. The CML side of the coupling capacitors has a common mode voltage of 1.5 V.

APPLICATION CIRCUIT FOR AN LVPECL INTERFACE

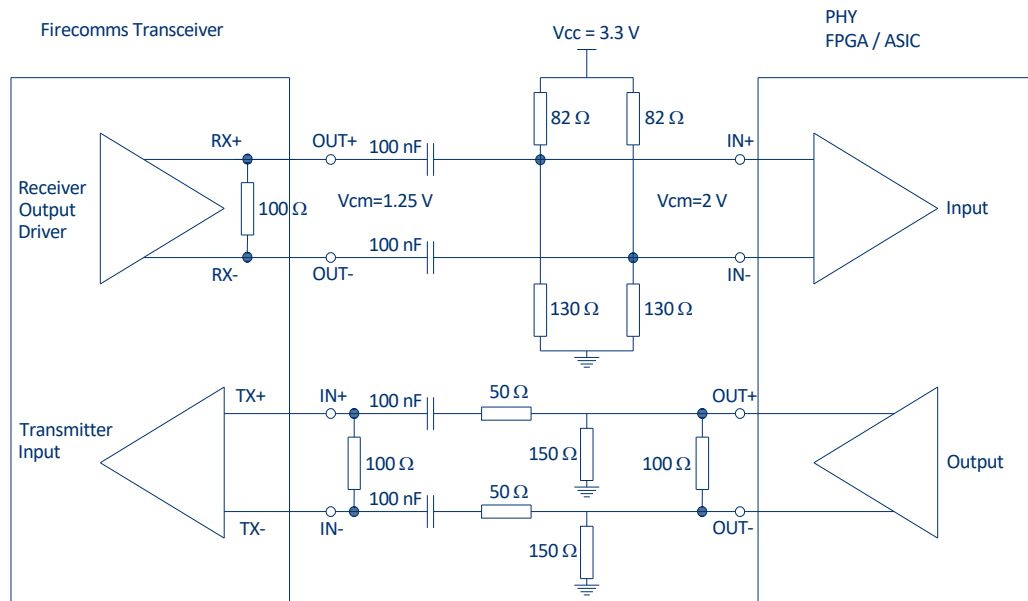


FIGURE 7

This is the general AC coupled LVPECL interface circuit for the Firecomms transceiver. It assumes that the PHY/FPGA/ASIC device does not have internal termination. The resistor network sets the Common mode voltage of 2 V for the LVPECL application circuit.

The Firecomms transceiver can be interfaced to standard LVPECL devices such as 100 Mbps Fast Ethernet PHY IC's. AC coupling is important to ensure the correct common mode voltage. The optical receiver is a CMOS device and its output stage has a common mode of 1.25 V. By AC coupling this to a standard LVPECL resistor network (82/130 Ω) the common mode is shifted to 2 V and the correct VOH to VOL voltage swing is achieved.

The 100 nF AC coupling capacitors are ideal for high speed operation (100 to 200 Mbps). For lower data rates these should be increased as appropriate.

As Ethernet PHY IC's often differ in the design of their interface circuits, we recommend that the user contact Firecomms application support who can advise on the exact circuit that will work best with leading PHY suppliers, for example Micrel/Microchip, Marvell, Realtek, TI and IC Plus.

Firecomms can also provide support with interfaces to FPGA's from Xilinx, Altera, Lattice and others.

SPECIFICATIONS

**Table 4
REGULATORY COMPLIANCE**

Parameter	Symbol	Standard	Level
Storage Compliance	MSL	J-STD-020	2a (4-week floor life)
Restriction of Hazardous Substances Directive	RoHS	Directive 2011/65/EU	Certified compliant
Eye Safety		IEC 60825-1	LED Class 1

**Table 5
ABSOLUTE MAXIMUM RATINGS**

These are the absolute maximum ratings at or beyond which the component can be expected to be damaged

Notes:

1. 260 °C for 10 seconds, one time only, at least 2.2 mm away from lead root

Parameter	Symbol	Minimum	Maximum	Unit
Storage Temperature	T _{stg}	-40	+85	°C
Operating Temperature	T _{op}	-40	+85	°C
Soldering Temperature ^[1]	T _{slid}		+260 ^[1]	°C
Supply Voltage	V _R	-0.5	3.6	V
Receiver Optical Overload	P _{OL}		0	dBm

SPECIFICATIONS

Table 6
TRANSMITTER ELECTRICAL AND OPTICAL CHARACTERISTICS

Test Conditions:

1. Test data was validated over the full temperature range of -40 °C to +85 °C, and over the supply range of 3 V to 3.6 V.
2. Test data represents operation at the maximum data rate of 250 Mbps using a PRBS7 test pattern unless otherwise stated
3. Optical power is measured when coupled into 0.5 m of a 1 mm diameter 0.5 NA POF

Parameter	Symbol	Min	Typical	Max	Unit	Test Condition
DC Supply Voltage	V _{CC}	3.0	3.3	3.6	V	
Operating Current Consumption	I _{CC}		37	52	mA	
Sleep State Current Consumption	I _{Sleep}		20	40	μA	< 30 dBm of Light
Data Rate	Baud Rate	10		250	Mbps	
Data Input Capacitance	C _{IN}			5	pF	
Data Input Resistance (Single-Ended)	R _{IN}		5		kΩ	
Input Common-Mode Range	V _{IN-BIAS}	GND+0.8		V _{CC} -0.8	V	
Input Voltage Swing	V _{IN-SWING}	100		1200	mV	
Minimum Differential Voltage Swing to Ensure Wake-Up	Wake-up Input	50			mV	
Wake-Up Time Delay			5	80	μs	
Optical Power OFF Delay		0.02		20	μs	
Peak Wavelength	λ _{peak}	640	660	670	nm	
Spectral Bandwidth (FWHM)	Δλ		23	30	nm	
Average Optical Power	P	-10		-2.0	dBm	[3]
Rise Time (20 % - 80 %)	t _R		2.0	2.8	ns	
Optical Fall Time (20 % - 80 %)	t _F	0.3		0.6	ns	
Optical Modulation Amplitude	OMA	160	590	1250	μW	
Total Jitter				1.6	ns	

Table 7
RECEIVER ELECTRICAL AND OPTICAL CHARACTERISTICS

Test Conditions:

1. Test data was validated over the full temperature range of -40 °C to +85 °C, and over the supply range of 3 V to 3.6 V
2. Test data represents operation at the maximum data rate of 250 Mbps using a PRBS7 test pattern unless otherwise stated
3. Optical power was coupled from a minimum 0.5 m length of 1 mm diameter core and 0.5 NA step index POF
4. Measured by an oscilloscope with 50 Ohm termination for each data input line or using a 100 Ohm terminated differential probe
5. Typical Ethernet applications will run at 100 Mbps of 4B5B encoded data which is equivalent to a symbol rate of 125 MBd
6. Typical FPGA applications will run at 200 Mbps of 8B10B encoded data which is equivalent to a symbol rate of 250 MBd

Parameter	Symbol	Min	Typical	Max	Unit	Test Condition
DC Supply Voltage	V _{cc}	3.0	3.3	3.6	V	
Data Rate		10		250	Mbps	See encoding [2],[5],[6]
Operating Current Consumption	I _{cc}	18	22	30	mA	
Sleep State Current Consumption	I _{sleep}	2	7	15	μA	
Output Impedance Between RD+ and RD-			100		Ohm	
Offset Common Mode Voltage	V _{ocm}	1.2	1.25	1.3	V	
Output Differential Voltage Swing		650	800	950	mV	[4]
Receivable Optical Power Sensitivity				-24	dBm	
Maximum Allowed Optical Power				0	dBm	
Rise Time (10 % - 90 %)			1.0	2.5	ns	
Fall Time (90 % - 10 %)			1.0	2.0	ns	
Signal Detect Assert		-32	-28	-26	dBm	
Signal Detect De-Assert		-34	-31	-28	dBm	
Sleep Assert Time with no data			2		s	
Sleep Awake Light Level		-40	-30	-26	dBm	
Wake Up Time from Sleep State			10	100	μs	
Receiver Jitter		0.1	1	1.5	ns	Perfect Input signal

MECHANICAL DATA

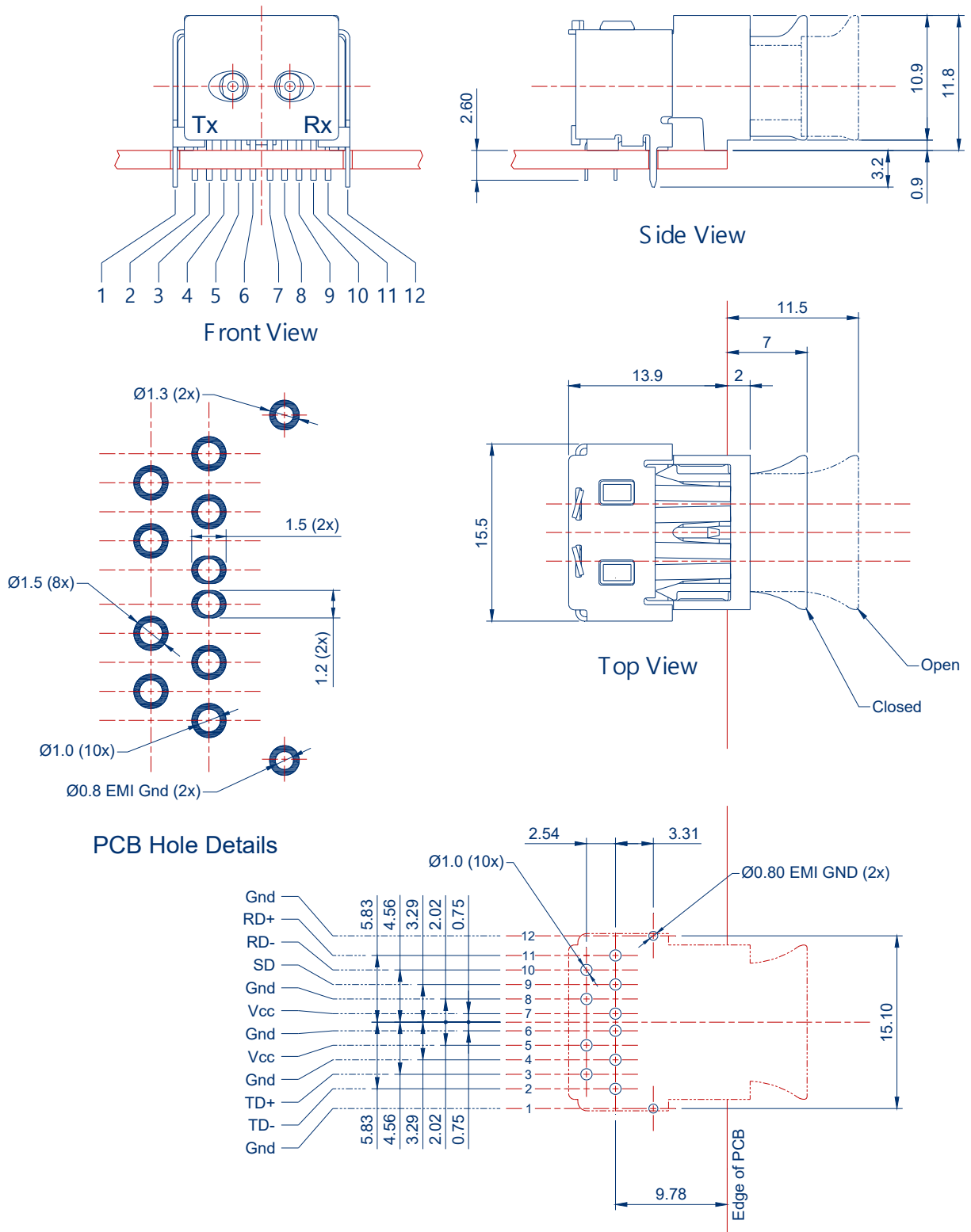


FIGURE 8

Mechanical dimensions of the product, and PCB footprint, which is a top view
General dimensional tolerance is ± 0.2 mm.

NOTE: For PCB layout extra care is required with pin 6 and pin 7. On the PCB top and bottom metal they require a non-circular pad. The VIA's are standard plated circular through holes, however, the VIA top and bottom solder pad areas are non-circular 1.2 mm wide and 1.5 mm long oval shapes.

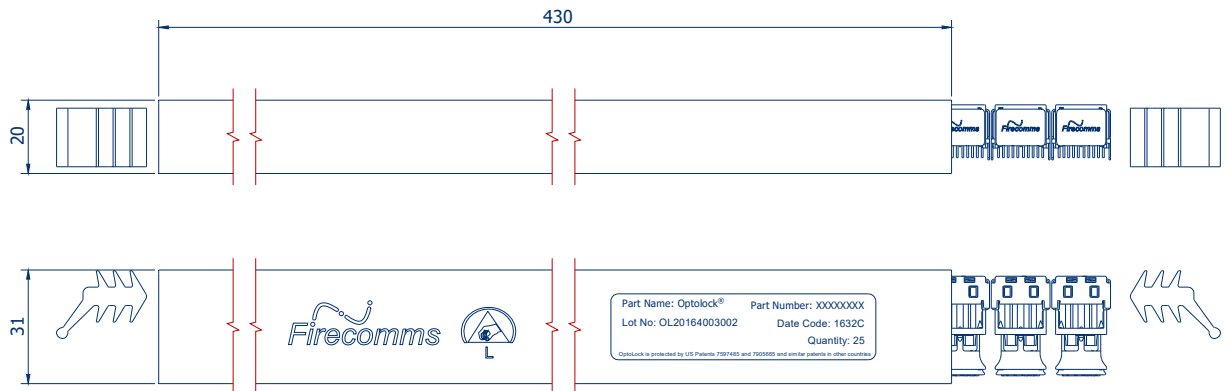


FIGURE 9
Packing tube for Firecomms OptoLock® Transceivers

PART HANDLING

The transceivers are tested for handling in static-controlled assembly processes (HBM). Cleaning, degreasing and post solder washing should be carried out using standard solutions compatible with both plastics and the environment. For example, recommended solutions for degreasing are alcohols (methyl, isopropyl and isobutyl). Acetone, ethyl acetate, phenol or similar solution based products are not permitted.

In the soldering process, non-halogenated water soluble fluxes are recommended. These components are not suitable for use in reflow solder processes (infrared/vapor-phase reflow). The dust plug should remain in place during soldering, washing and drying processes to avoid contamination of the active optical area of each connector.

The Moisture Sensitivity Level (MSL) classification of this device is 2a according to JEDEC J-STD-020. The shelf life of an unopened MBB (Moisture Barrier Bag) is 24 months at < 40 °C and < 90 % R.H. Once the Moisture Barrier Bag is opened the devices can be either

- a) Stored in normal factory conditions < 30 °C and < 60 % R.H. for a maximum of 672 hours (4 Weeks) prior to soldering.
- b) Stored at < 10 % R.H. (Dry Cabinet).

PACKING INFORMATION

Components are packed in PVC anti-static tubes in moisture barrier bags. Bags should be opened only in static-controlled locations, and standard procedures should be followed for handling moisture sensitive components

Components per Tube	25
Tube Length	430 mm
Tube Width	31 mm
Tube Height	20 mm
Tubes per Bag	10
Bags per Inner Carton	1
Inner Carton Length	588 mm
Inner Carton Width	147 mm
Inner Carton Height	84 mm
Weight per Inner Carton, Complete	1.80 kg
Components per Inner Carton	250
Inner Cartons per Outer Carton	4
Outer Carton Length	600 mm
Outer Carton Width	310 mm
Outer Carton Height	195 mm
Weight per Outer Carton, Complete	7.53 kg
Components per Outer Carton	1000

For the most recent revision or further information please visit www.firecomms.com or contact the company directly at the following address, Firecomms Ltd, 2200 Airport Business Park, Cork, IRELAND. Copyright© 2004-2018 Firecomms. All rights reserved. Firecomms refers to Firecomms Limited and/or its subsidiaries. Firecomms assumes no responsibility for inaccuracies or omissions in the information contained in this document. Specifications are subject to change without notice. No patent rights are granted to any of the circuits described herein.