

EVAL-FT10MHNR

DC-10 MBd RedLink Evaluation Board User Guide

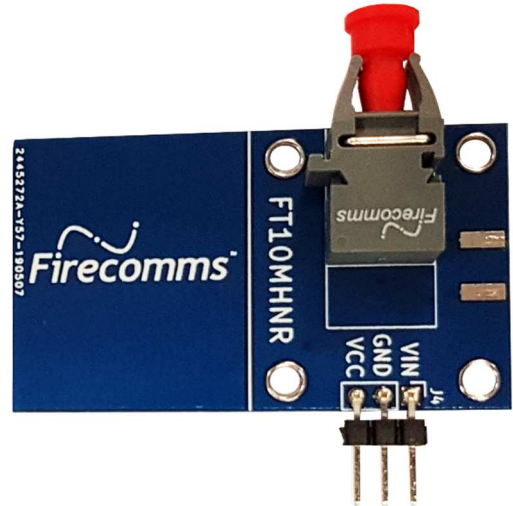


OVERVIEW

The EVAL-FT10MHNR mini evaluation board enables evaluation and rapid prototyping of the Firecomms RedLink® DC-10 MBd non-inverting transmitter for plastic optic fiber (POF) and large core glass fiber (200, 400 μm PCS). The board includes a single RedLink® receiver pre-mounted onto a simple PCB that allows easy application of DC power and monitoring of the output signal via a standard 0.1-inch header.

When paired with a receiver evaluation board such as the EVAL-FR10DHIR, the EVAL-FT10MHNR can be used to quickly prototype and evaluate an optical link.

The unpopulated footprint (J2) for a PCB mounted SMA connector has been added to allow a secure connection to lab equipment such as a Bit Error Rate Tester (BERT).



INITIAL SETUP

1. Connect 5 V to the Tx VCC header (J4 - Pin 3)
2. Connect GND of a DC power supply to the ground pin of the PCB header (J4 - Pin 2)
3. Connect a signal source to VIN (J4 – Pin 1)

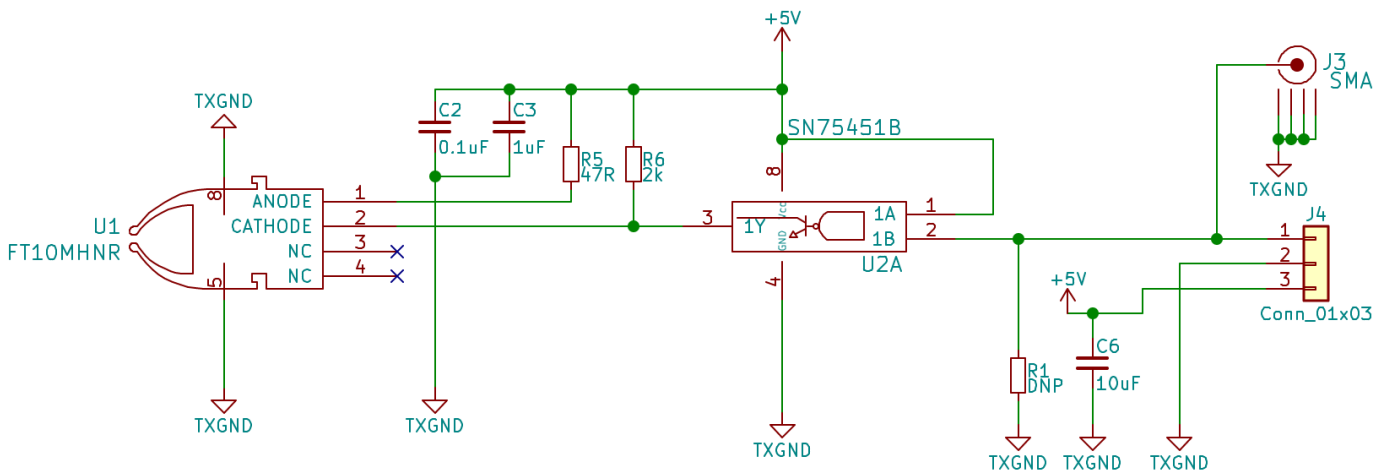


FIGURE 1
Evaluation Board Schematic