

FT50MHNR FT50MHIR FT50MVNR FT50MVIR

650 nm DC-50 MBd

Fully Integrated RedLink®

Fiber Optic Transmitter



Data Sheet



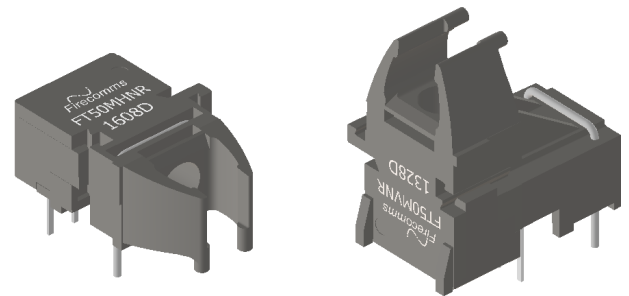
DESCRIPTION

The Firecomms DC-50 MBd RedLink transmitter consists of a highly reliable Resonant Cavity Light Emitting Diode (RCLED) with integrated driver IC as a visible optical transmitter. The device is housed in a miniature package to interface to plug-terminated lengths of Plastic Optic Fiber (POF) or 200 μm Plastic Clad Silica (PCS) fiber. It is capable of delivering 50 MBd digital signals over fiber and operate in the temperature range of $-40\text{ }^{\circ}\text{C}$ to $+85\text{ }^{\circ}\text{C}$. The device can operate from 5 V or 3.3 V DC power rails and can tolerate $\pm 10\%$ supply variation.

The transmitter contains a red wavelength RCLED with fully integrated precision driver IC, designed to provide a communication link over POF. The RCLED in is a highly reliable visible incoherent light source requiring low operating current. The use of intrinsically eye-safe, visible light simplifies link set-up and testing. It is available in inverting and non-inverting options.

AVAILABLE OPTIONS

Package and Configuration	Part Number
50 MBd Horizontal Package Non-Inverting, TTL	FT50MHNR
50 MBd Horizontal Package Inverting, TTL	FT50MHIR
50 MBd Vertical Package Non-Inverting, TTL	FT50MVNR
50 MBd Vertical Package Inverting, TTL	FT50MVIR



FEATURES

- Visible RCLED at red wavelength (650 nm)
- Optimized for data transmission from DC-50 MBd
- Industrial Temperature Range $-40\text{ }^{\circ}\text{C}$ to $+85\text{ }^{\circ}\text{C}$
- Dual 5 V and 3.3 V power supply with 10 % rail tolerance
- RoHS compliant and flame retardant (UL 94 V-0)
- Inverting and Non-Inverting options available
- Horizontal and Vertical options available
- Push Pull TTL Compatible CMOS output
- Ultra-low pulse width distortion to limit pulse distortion from burst mode data
- Compatible with Versatile Link cables and connectors

APPLICATIONS

Application	Automation and Industrial Control. Serial Communications. Voltage Isolation.
Standard	Serial RS232, RS485, CAN-Bus, MODBUS, Profibus
Distance	50 meters Step Index POF ^[1] 100 meters with 200 μm PCS fiber ^[1]
Speed	DC to 50 MBd

Note: 1. Depending on the installation conditions

SPECIFICATIONS

Table 3
TRANSMITTER PIN DESCRIPTION

Pin	Name	Symbol
1	Line Voltage	Vcc
2	No Pin Present	
3	GROUND	GND
4	Data Input (TTL)	D +
5	Retaining Pin	GND
8	Retaining Pin	GND

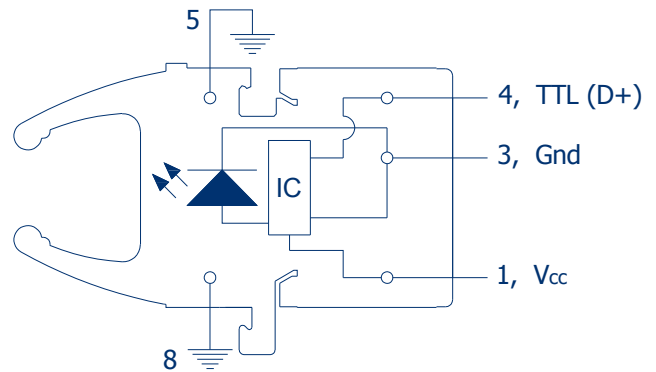


FIGURE 1
Transmitter pin-out, top view

Table 4
REGULATORY COMPLIANCE

Parameter	Symbol	Standard	Level
Electrostatic Discharge, Human Body Model (contact ESD)	HBM	Mil-STD-883	Level 2 (4 kV)
UL Certification	UL	94 V-0	Files No. Pending
Storage Compliance	MSL	J-STD-020E	2a (4-week floor life)
Restriction of Hazardous Substances Directive	RoHS	Directive 2011/65/EU	Certified compliant
Eye Safety		IEC 60825-1	LED Class 1

RECOMMENDED APPLICATION CIRCUIT

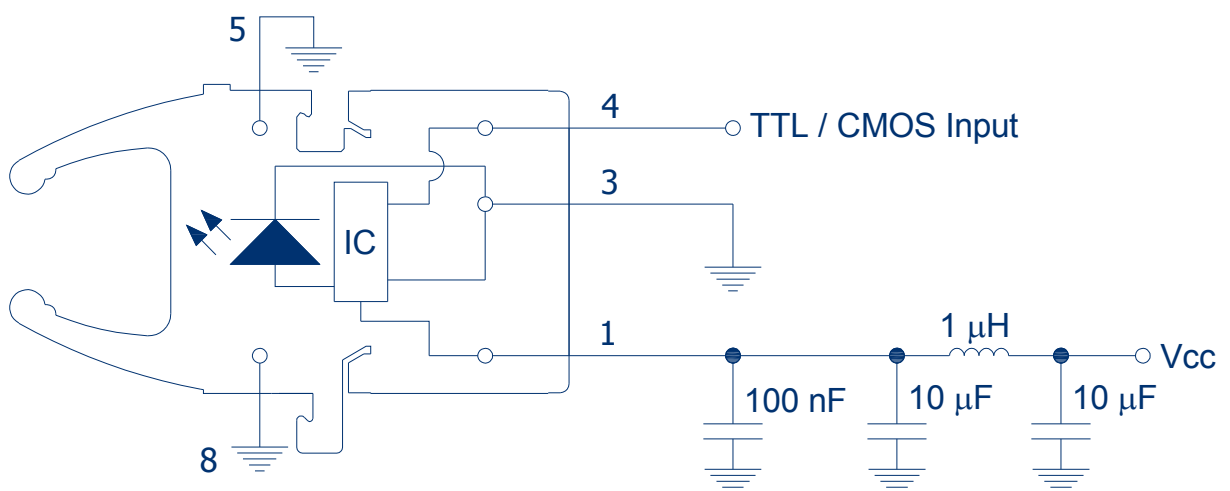


FIGURE 2
Recommended transmitter application circuit. See note 7 Table 6

SPECIFICATIONS

Table 5
ABSOLUTE MAXIMUM RATINGS

These are the absolute maximum ratings at or beyond which the FOT can be expected to be damaged

Notes:

1. 260 °C for 10 seconds, one time only, at least 2.2 mm away from lead root

Parameter	Symbol	Minimum	Maximum	Unit
Storage Temperature	T_{stg}	-40	+85	°C
Operating Temperature	T_{op}	-40	+85	°C
Soldering Temperature ^[1]	T_{sld}		+260 ^[1]	°C
Supply Voltage	V_{cc}	-0.5	5.5	V
TX Input Voltage (Data in)	V_{IN}	-0.5	5.5	V

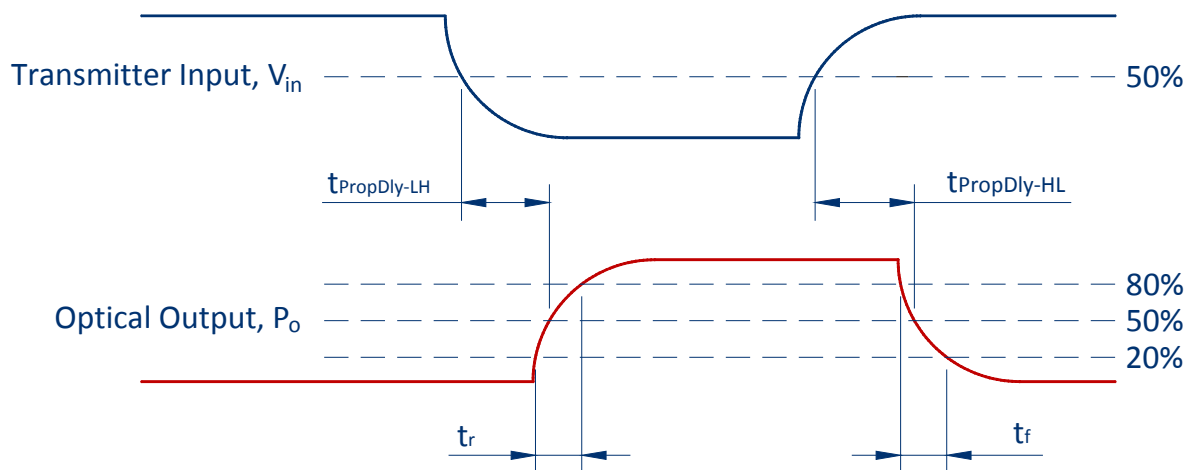


FIGURE 3
Transmitter Propagation Delay and rise/fall time definitions as per application circuit of Figure 2

SPECIFICATIONS

Table 6
TRANSMITTER ELECTRICAL AND OPTICAL CHARACTERISTICS

Test Conditions:

1. Test data was validated over the full temperature range of -40 °C to +85 °C, and over both power supply rail options of 5 V and 3.3 V ± 10%. Typical data out is at 25 °C, with 50 Mbps PRBS data and 3.3 V Supply
2. Output power levels are for peak (not average) optical output levels. For 50% duty cycle data, peak optical power is twice the average optical power. Optical power is measured when coupled into 0.5 m of a 1 mm diameter 0.5 NA POF and a large area detector.
3. Electrical input pulse width is determined at 1.5 V and dV/dt between 1 V and 2 V shall not be less than 1 V/ns.
4. Emission Wavelength (centroid) $\lambda_c = \sum P_i \lambda_i / \sum P_i$. (Ref: EIA/TIA std. FOTP-127/6.1, 1991)
5. Spectral Width Root Mean Squared (RMS) $\lambda_{RMS} = (\sum_i P_i (\lambda_c - \lambda_i)^2 / \sum_i P_i)^{1/2}$. (Ref: EIA/TIA std. FOTP-127/6.3, 1991)
6. Wake Up Delay is the time from valid power up to valid data output, at 5 V or 3.3 V +/-10 %, with input data at 50 % duty cycle
7. Pins 5 and 8 are used for mounting and retaining purposes only. Connect to ground.

Parameter	Symbol	Min	Typical	Max	Unit	Test Condition
Supply Current	I _{CC}		21@3V 22 @5V	35	mA	[1]
Input Voltage - Low	V _{IL}	-0.3		0.8	V	[1]
Input Voltage - High	V _{IH}	2.0		V _{CC} + 0.25	V	[1]
Data Input Capacitance	C _{in}			7	pF	
Data Input Resistance	R _{in}	10			MΩ	
Output Power	P _{High}	-6		0	dBm	[1], [2]
Emission Wavelength (centroid)	λ_c	640	650	670	nm	[4]
Spectral Width (RMS)	λ_{RMS}			30	nm	[5]
Optical Rise time (20%-80%)	t _r		1.6	5	ns	[1]
Optical Fall time (20%-80%)	t _f		1	2	ns	[1]
Propagation Delay Low-to-High	t _{PropDly_LH}	23	29	37	ns	[1], Figure 3
Propagation Delay High-to Low	t _{PropDly_HL}	23	29	37	ns	[1], Figure 3
TX Pulse Width Distortion	PWD	-3.0		+3.0	ns	[1,4]
Wake Up Delay (power up)	t _{power-on}		20		μs	[6]

MECHANICAL DATA, HORIZONTAL

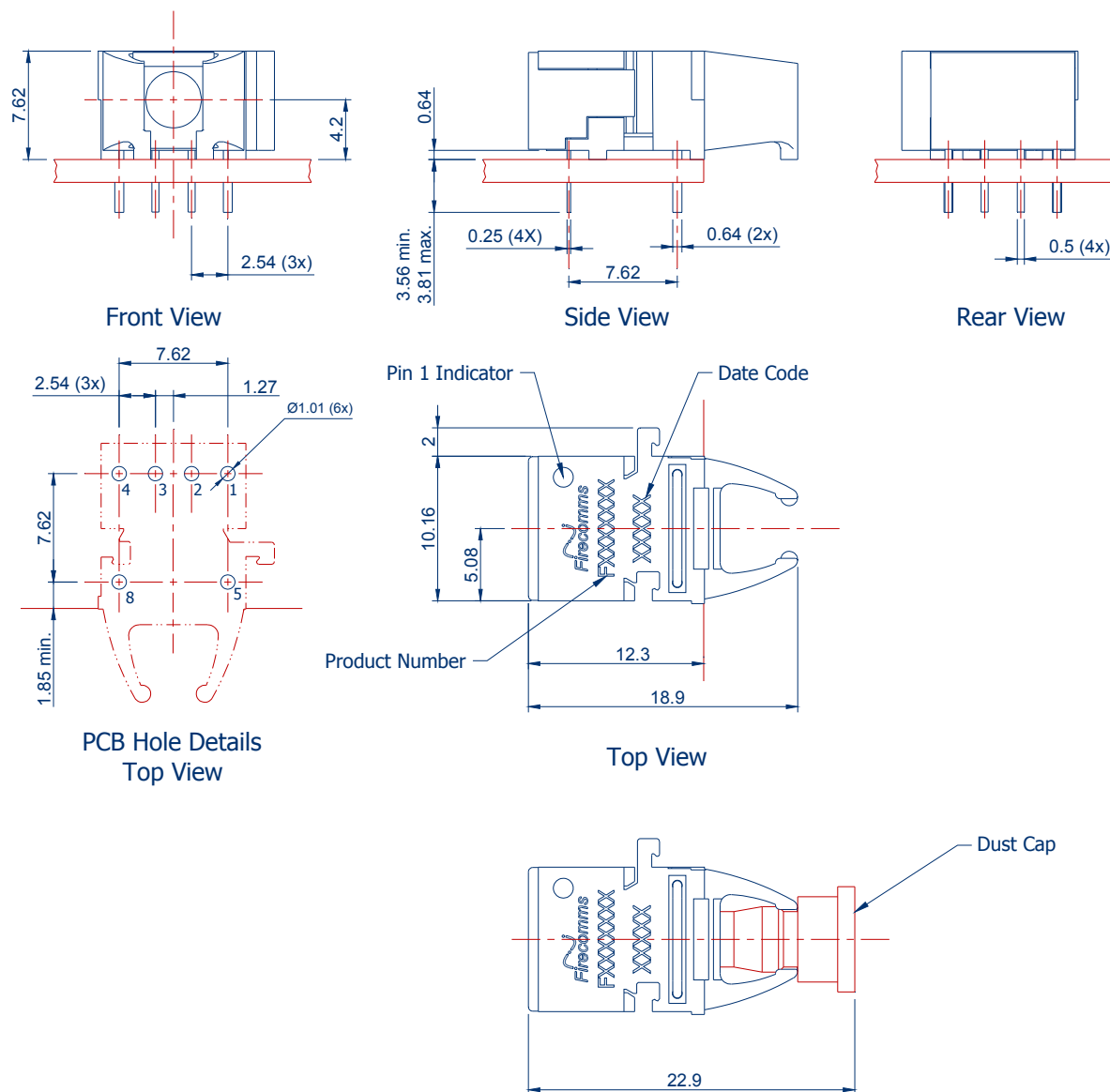


FIGURE 4
Mechanical dimensions of the horizontal connectors and PCB footprint, which is a top view
General dimensional tolerance is ± 0.2 mm

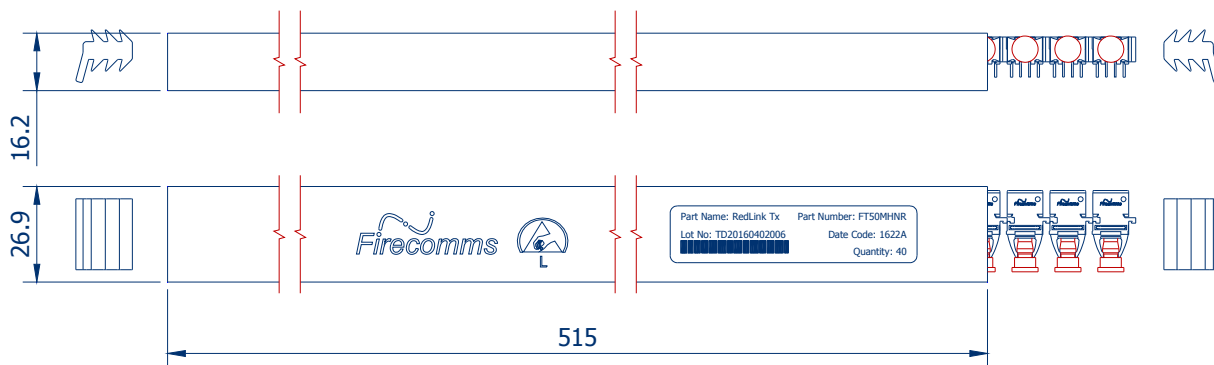


FIGURE 5
Packing tube for Firecomms Horizontal RedLink Transmitters

MECHANICAL DATA, VERTICAL

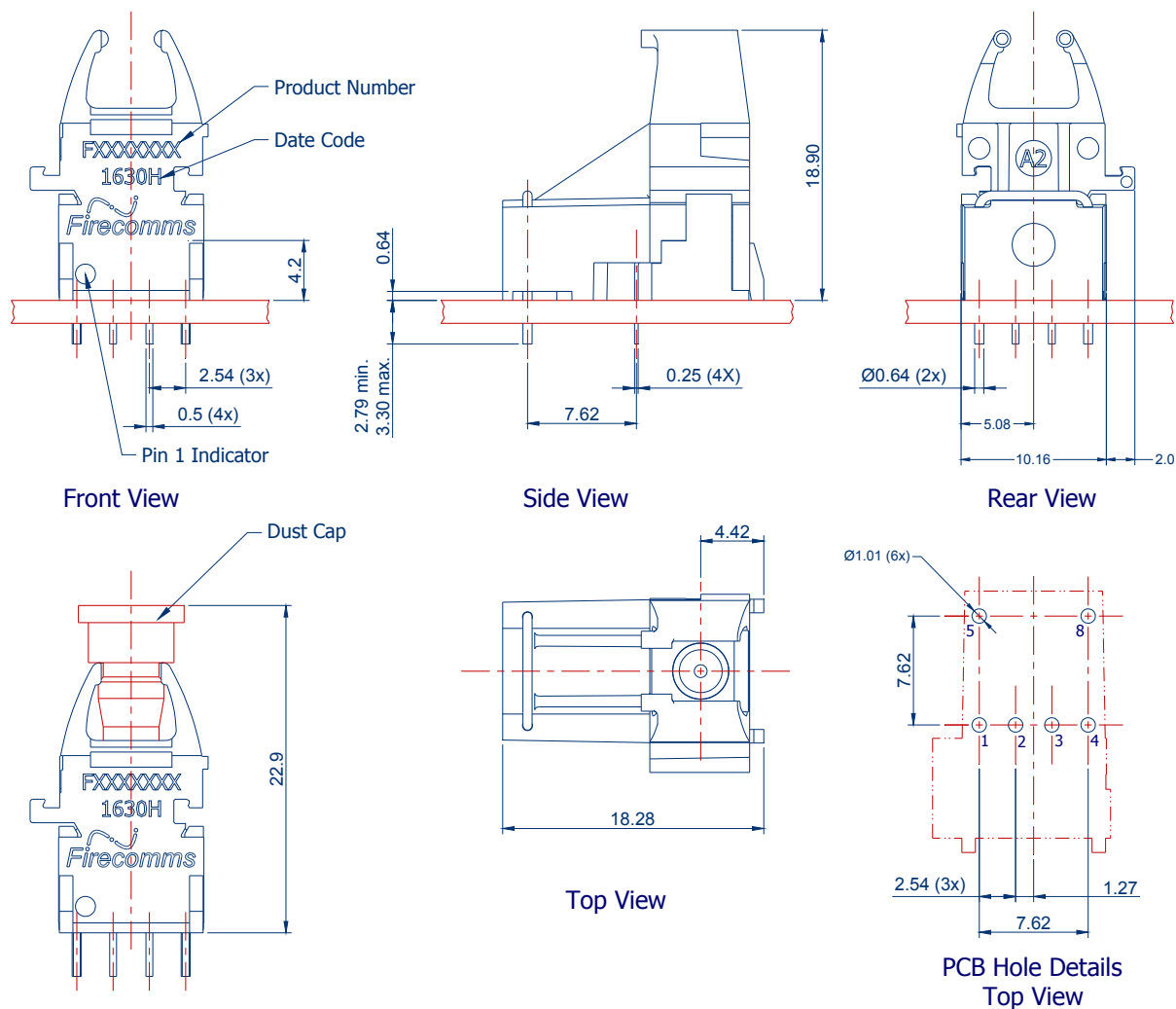


FIGURE 6
Mechanical dimensions of the vertical transmitter connectors and PCB footprint, which is a top view
General dimensional tolerance is ± 0.2 mm

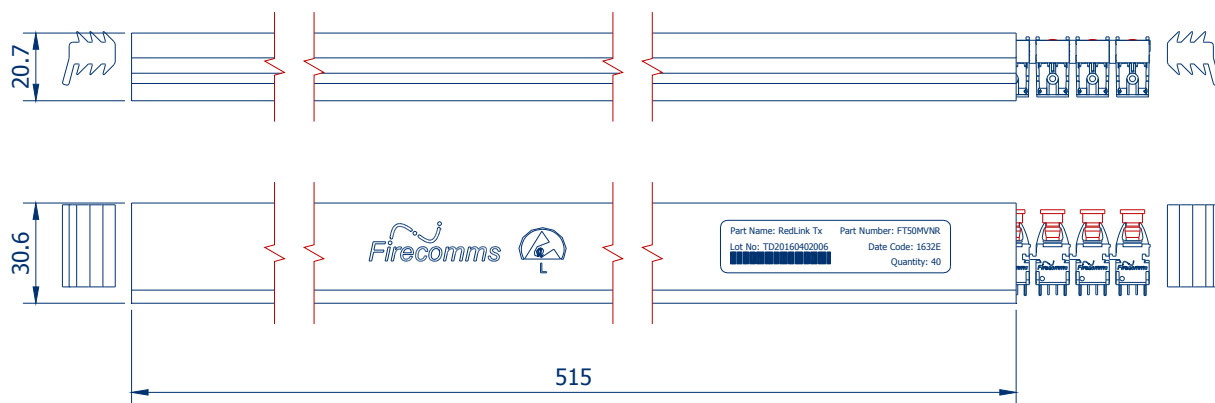


FIGURE 7
Packing tube for Firecomms Vertical RedLink Transmitters

PART HANDLING

The Firecomms DC-50 MBd 650 nm RedLink transmitter devices are color coded gray. They are auto-insertable. They are tested for handling in static-controlled assembly processes (HBM). Cleaning, degreasing and post solder washing should be carried out using standard solutions compatible with both plastics and the environment. For example, recommended solutions for degreasing are alcohols (methyl, isopropyl and isobutyl). Acetone, ethyl acetate, phenol or similar solution based products are not permitted.

In the soldering process, non-halogenated water soluble fluxes are recommended. These products are not suitable for use in reflow solder processes (infrared/vapor-phase reflow). The dust plug should remain in place during soldering, washing and drying processes to avoid contamination of the active optical area of each part.

The Moisture Sensitivity Level (MSL) classification of this device is 2a according to JEDEC J-STD-020E. The shelf life of an unopened MBB (Moisture Barrier Bag) is 24 months at < 40 °C and < 90 % R.H. Once the Moisture Barrier Bag is opened the devices can be either

- a) Stored in normal factory conditions < 30 °C and < 60 % R.H. for a maximum of 672 hours (4 Weeks) prior to soldering.
- b) Stored at < 10 % R.H. (Dry Cabinet).

PACKING INFORMATION

Components are packed in PVC anti-static tubes in moisture barrier bags. Bags should be opened only in static-controlled locations, and standard procedures should be followed for handling moisture sensitive components.

Table 7
PACKING INFORMATION

	Horizontal	Vertical
Components per Tube	40	40
Tube Length	515 mm	515 mm
Tube Height	16.2 mm	21.0 mm
Tube Depth	26.9 mm	30.8 mm
Tubes per Bag	5	5
Bags per Inner Carton	1	1
Inner Carton Length	630 mm	630 mm
Inner Carton Width	70 mm	70 mm
Inner Carton Height	105 mm	105 mm
Weight per Inner Carton, Complete	0.77 kg	0.92 kg
Components per Inner Carton	200	200
Inner Cartons per Outer Carton	10	10
Outer Carton Length	650 mm	650 mm
Outer Carton Width	235 mm	235 mm
Outer Carton Height	376 mm	376 mm
Weight per Outer Carton, Complete	8.13 kg	9.60 kg
Components per Outer Carton	2,000	2,000

For the most recent revision or further information please visit www.firecomms.com or contact the company directly at the following address, Firecomms Ltd, 2200 Airport Business Park, Cork, IRELAND. Copyright© 2004-2016 Firecomms. All rights reserved. Firecomms refers to Firecomms Limited and/or its subsidiaries. Firecomms assumes no responsibility for inaccuracies or omissions in the information contained in this document. Specifications are subject to change without notice. No patent rights are granted to any of the circuits described herein.